



GB

ROTATOR **GV 14S**

The ultimate rotator for forwarders, harvesting heads
and heavy attachments

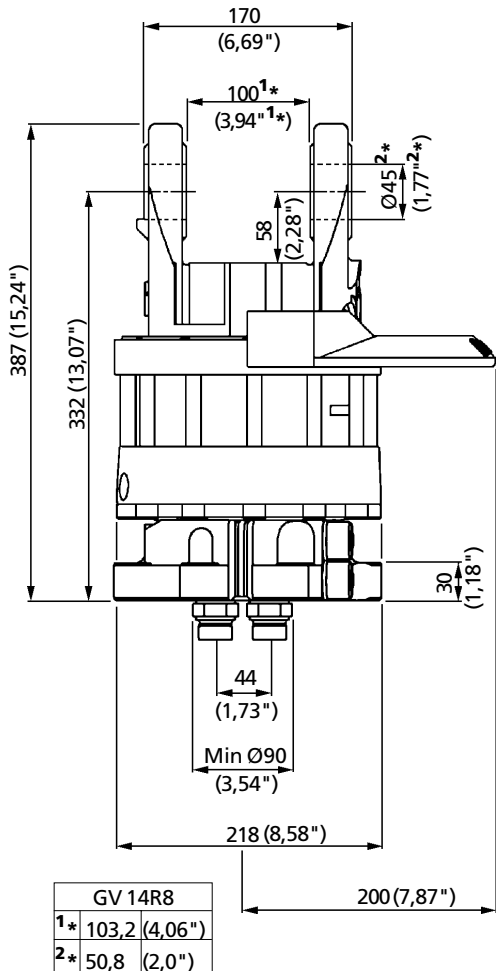


Developed from Indexator's GV 12 series rotators, the GV 14 shares the same material specifications and dimensions, but is equipped with a high torque motor giving 50% more rotating power.

- Compact design with high power to weight ratio
- Maximum working pressure 25 Mpa
- The GV 14 incorporates a magnetic plug for oil cleanliness inspection.
- Built in flow limiter
- Robust lower link completely free from play
- Optional heavy duty hose guards available

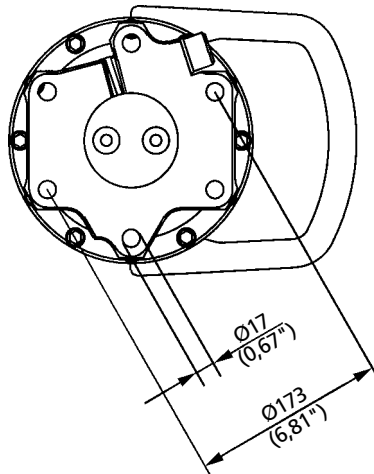
ROTATOR GV 14S

**GV 14S
GV 14SA
GV 14R8**

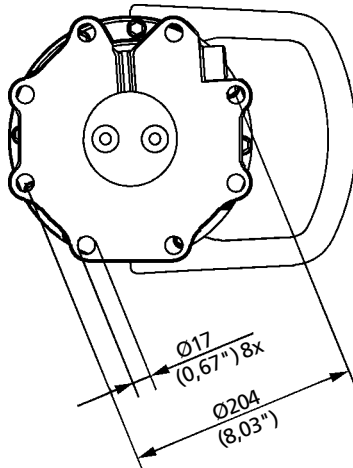


GV 14R8
1* 103,2 (4,06")
2* 50,8 (2,0")

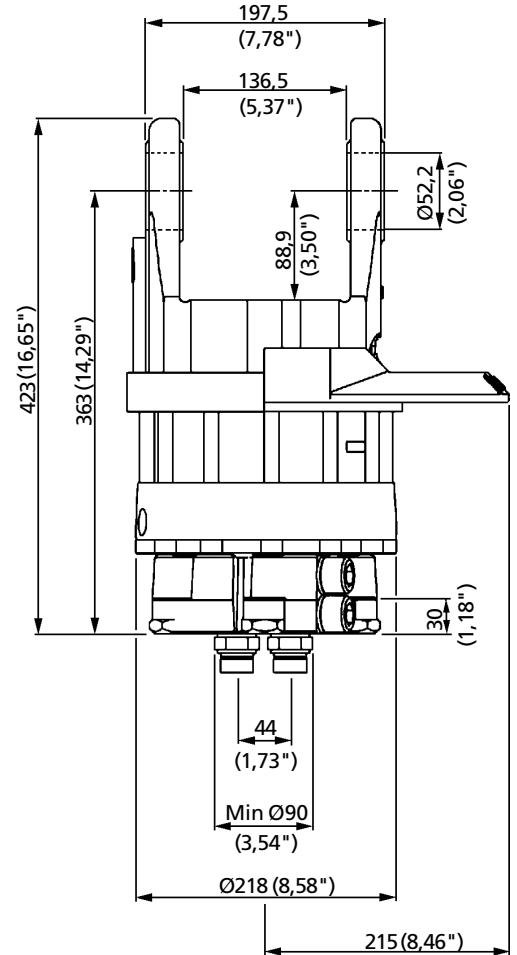
**GV 14S
GV 14SA
GV 14US**



GV 14R8



GV 14US



Technical data

Rotation
Weight, kg (lb)
Max axial load static, kN (lbf)
Max. axial load dynamic, kN (lbf)
Torque at 25 MPa (3 625 psi), Nm (lb-ft)
Rec oilflow, rotation lit/min (GPM**)
(**US Gallon)

GV 14S

5114 075
unlimited
58 (128)
100 (22 480)
50 (11 240)
3 300 (2 435)
35 (9,2)

GV 14SA

5114 076
unlimited
58 (128)
100 (22 480)
50 (11 240)
3 300 (2 435)
35 (9,2)

GV 14R8

5114 190
unlimited
59 (130)
100 (22 480)
50 (11 240)
3 300 (2 435)
35 (9,2)

GV 14US

5114 180
unlimited
64 (141)
100 (22 480)
50 (11 240)
3 300 (2 435)
35 (9,2)

Max working pressure:

Rotator	25 MPa (3 625 psi)	<input type="checkbox"/> R
Grapple/Tool open	25 MPa (3 625 psi)	<input type="checkbox"/> GO
Grapple/Tool close	25 MPa (3 625 psi)	<input type="checkbox"/> G

Connections:

BSP 1/2"	BSP 1/2"	SAE 10	SAE 10
BSP 1/2"	BSP 1/2"	SAE 10	SAE 10
BSP 1/2"	BSP 1/2"	SAE 10	SAE 10

We supply adapter sets for alternative connections

Sales and service:



Indexator AB, Box 11, S-922 21 Vindeln, Sweden
Tel + 46 933 109 45, Fax + 46 933 108 57
E-mail: sales@indexator.se