



GB

# ROTATOR **GV 3**

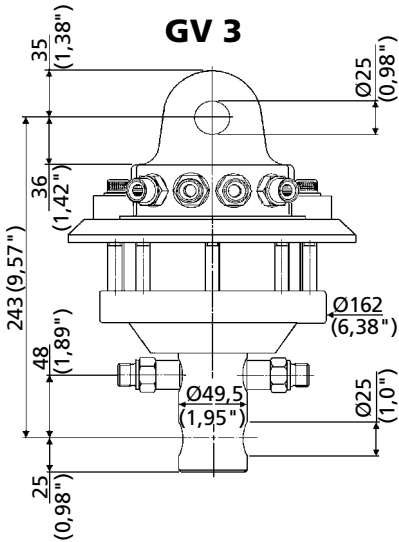
Rotator for agricultural cranes, small forestry cranes  
and industrial cranes



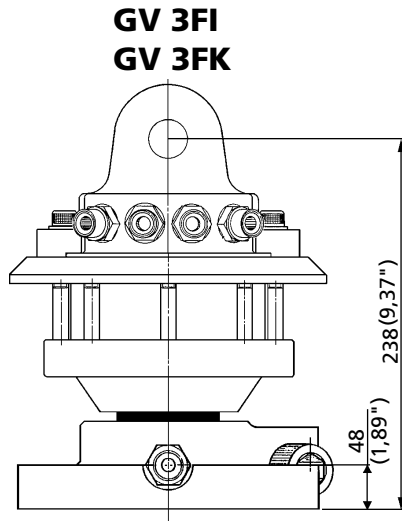
GV 3 is a light and compact vane rotator and very suitable for smaller cranes.

- Strong attachment
- Reliable bearings and hydraulically balanced for long service life
- Shaft material of high quality steel alloy

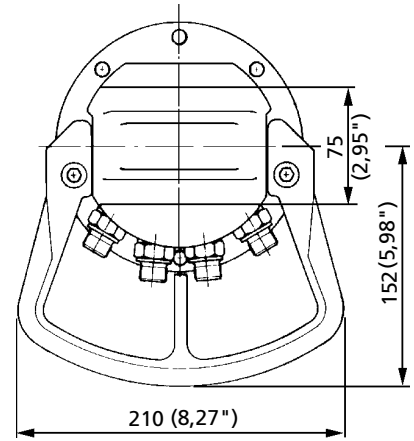
# ROTATOR GV 3



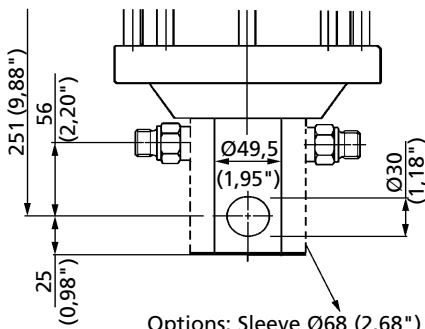
**GV 3**



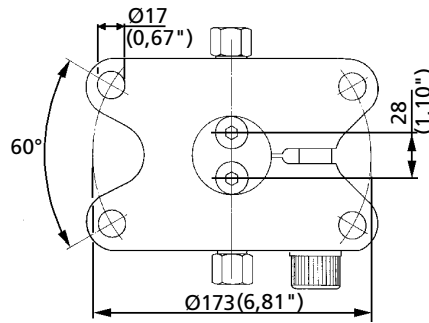
**GV 3FI  
GV 3FK**



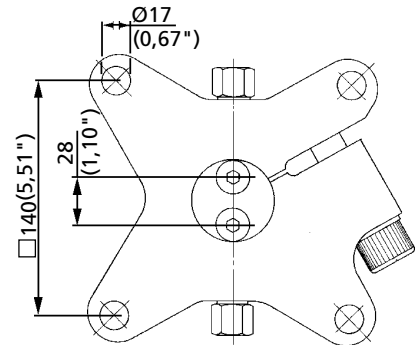
**GV 3-30**



Options: Sleeve Ø68 (2,68") alt Ø69 (2,72")



**GV 3FI**



**GV 3FK**

**Technical data**

	<b>GV 3</b>	<b>GV 3-30</b>	<b>GV 3FI</b>	<b>GV 3FK</b>
Rotation	5002 300	5002 330	5002 326	5002 327
Weight, kg (lb)	unlimited	unlimited	unlimited	unlimited
Max axial load static, kN (lbf)	17 (37)	17 (37)	22 (48)	24 (53)
Max axial load dynamic, kN (lbf)	30 / 40*	30 / 40*	30 / 40*	30 / 40*
Torque at 25 MPa (3 625 psi), Nm (lb-ft)	(6 745 / 8 990*)	(6 745 / 8 990*)	(6 745 / 8 990*)	(6 745 / 8 990*)
Rec oilflow, l/min (GPM)**	12,5 (2 810)	12,5 (2 810)	12,5 (2 810)	12,5 (2 810)
Rec oilflow, l/min (GPM)**	950 (700)	950 (700)	950 (700)	950 (700)
Rec oilflow, l/min (GPM)**	10 (2,6)	10 (2,6)	10 (2,6)	10 (2,6)
Max working pressure:				
Rotator	25 MPa (3 625psi)			
Grapple/Tool open	20 MPa (2 900 psi), $\leftrightarrow$ <span style="border: 1px solid black; padding: 0 2px;">GO</span>			
Grapple/Tool close	30 MPa (4 350 psi) $\nleftrightarrow$ <span style="border: 1px solid black; padding: 0 2px;">G</span>			
Connections:				
Rotator	BSP 3/8" <span style="border: 1px solid black; padding: 0 2px;">R</span>	BSP 3/8"	BSP 3/8"	BSP 3/8"
Grapple/Tool open	20 MPa (2 900 psi), $\leftrightarrow$ <span style="border: 1px solid black; padding: 0 2px;">GO</span> (25 MPa)*(3 625 psi)*	BSP 3/8"	BSP 3/8"	BSP 3/8"
Grapple/Tool close	30 MPa (4 350 psi) $\nleftrightarrow$ <span style="border: 1px solid black; padding: 0 2px;">G</span>	BSP 3/8"	BSP 3/8"	BSP 3/8"

\* Mounted on a general cargo handling crane

We supply adapter sets for alternative connections

Sales and service:



Indexator AB, Box 11, S-922 21 Vindeln, Sweden  
Tel + 46 933 109 45, Fax + 46 933 108 57  
E-mail: sales@indexator.se